

HAAS
+
SOHN

i-2100

Equipment sheet
Fireplace stove

GB

0424717531400a

Introduction

We thank you very much for purchasing our product!

The description of the heating device will inform you in detail about the design, technical specification and operation of the heating device. We recommend you to acquaint yourselves closely with these data. In this way, you will avoid possible faults during the proper assembly and operation.

You will find detailed conditions of installation and operation in General Manual of Operation (included in the scope of the delivery).

Notes in the text

GB



Of utmost importance there are the notes entitled **WARNING**. The notes entitled **WARNING** advise you on **serious danger of damage to the heating device or of an injury**.



The note entitled **Notice** advises you on possible damage to your heating device.



The note entitled **Important** calls your attention to the information important for the operation of your heating device.



The note itself calls your attention to the information important for the operation of your heating device in general.

Contents

1. Technical data	1
1.1. Suitable fuel, stoking amount of fuel	1
1.2. Electrical power outage: blind (Item 2) take off	2
2. Technical description	3
3. Overview of spare parts	4
3.1. Whole emplacement	4
3.2. Detail A1	6
3.3. Detail A2	7
4. Connection diagram	8

1. Technical data

	Block wood	
Achievable heat output	8,3 kW	
Nominal heating output	8 kW	
Energy efficiency	82,3 %	
Average concentration of CO at 13% O ₂	475 mg/Nm ³	303 mg/MJ
Average concentration of dust at 13% O ₂	14 mg/Nm ³	9 mg/MJ
Average concentration of NOx at 13% O ₂	90 mg/Nm ³	57 mg/MJ
Average concentration of OGC at 13% O ₂	39 mg/Nm ³	25 mg/MJ
Amount of combustion products at nominal output	6,8 g/s	
Temperature of combustion products in the smoke flue neck	295 °C	
Minimum draft of the chimney at nominal heat output	12 Pa	

1.1. Suitable fuel, stoking amount of fuel

Fuel:	Max. stoking amount of fuel
Block wood:	2 logs (max. 2,3 kg)
Length of wood logs:	Max. 30 cm
Saw-dust briquettes (DIN51731):	—
Lignite briquette:	—

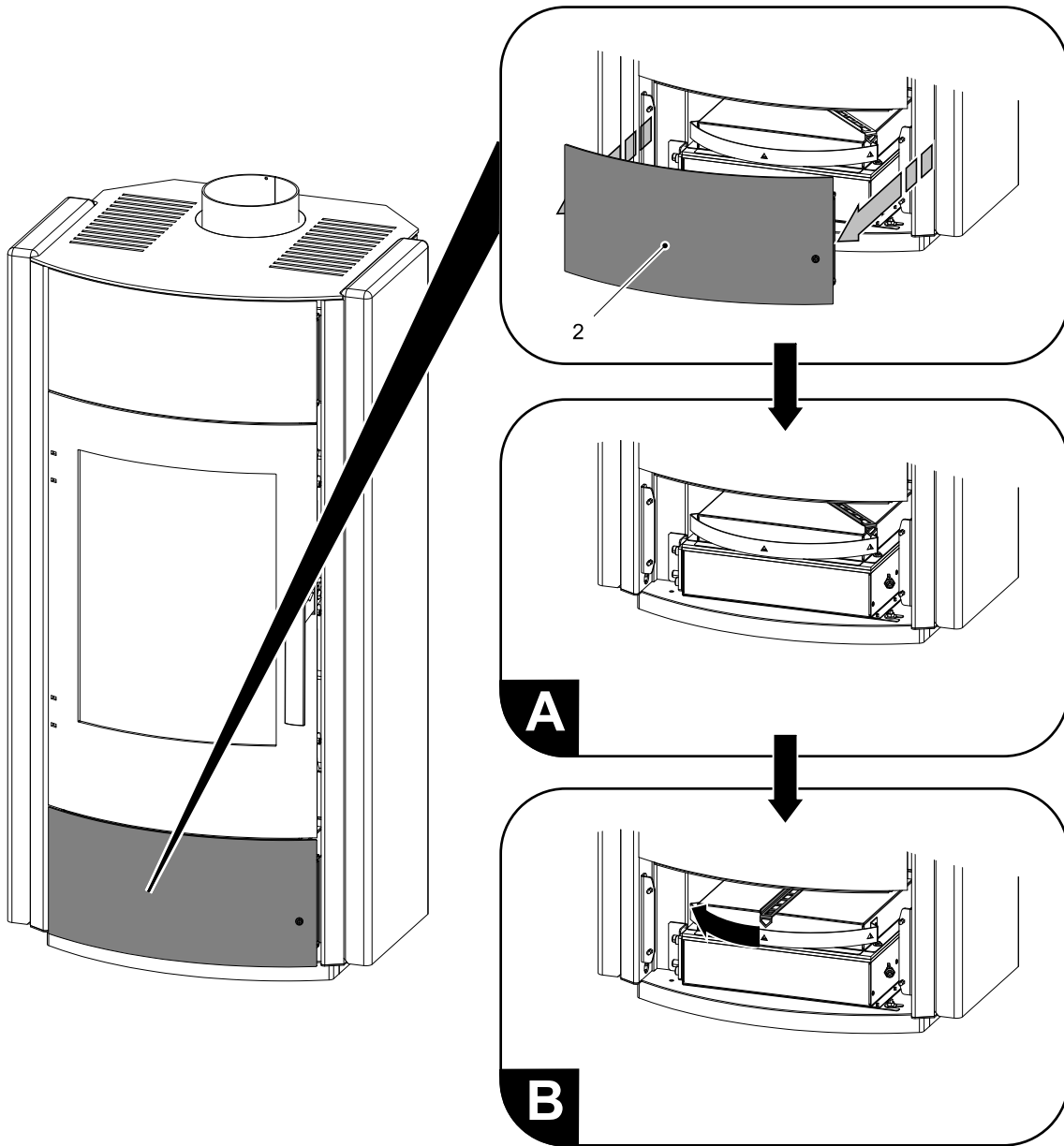


Note

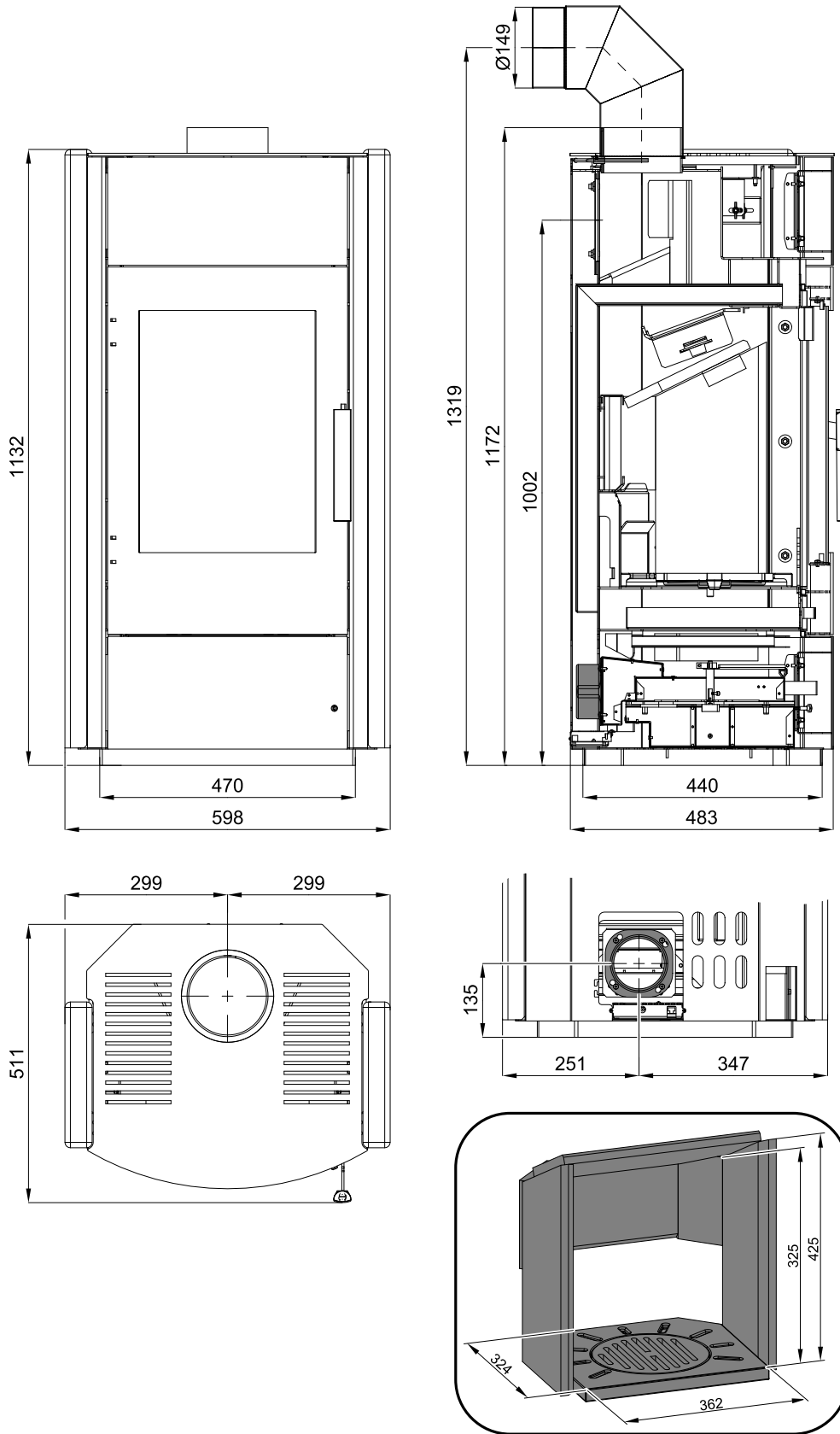
When heating with wood stock, employ solely the types of wood which have been stored for two years and their residual humidity is at most 17 %.

1.2. Electrical power outage: blind (Item 2) take off

- burning: heating up (Figure A)
- burning: heating (Figure B)



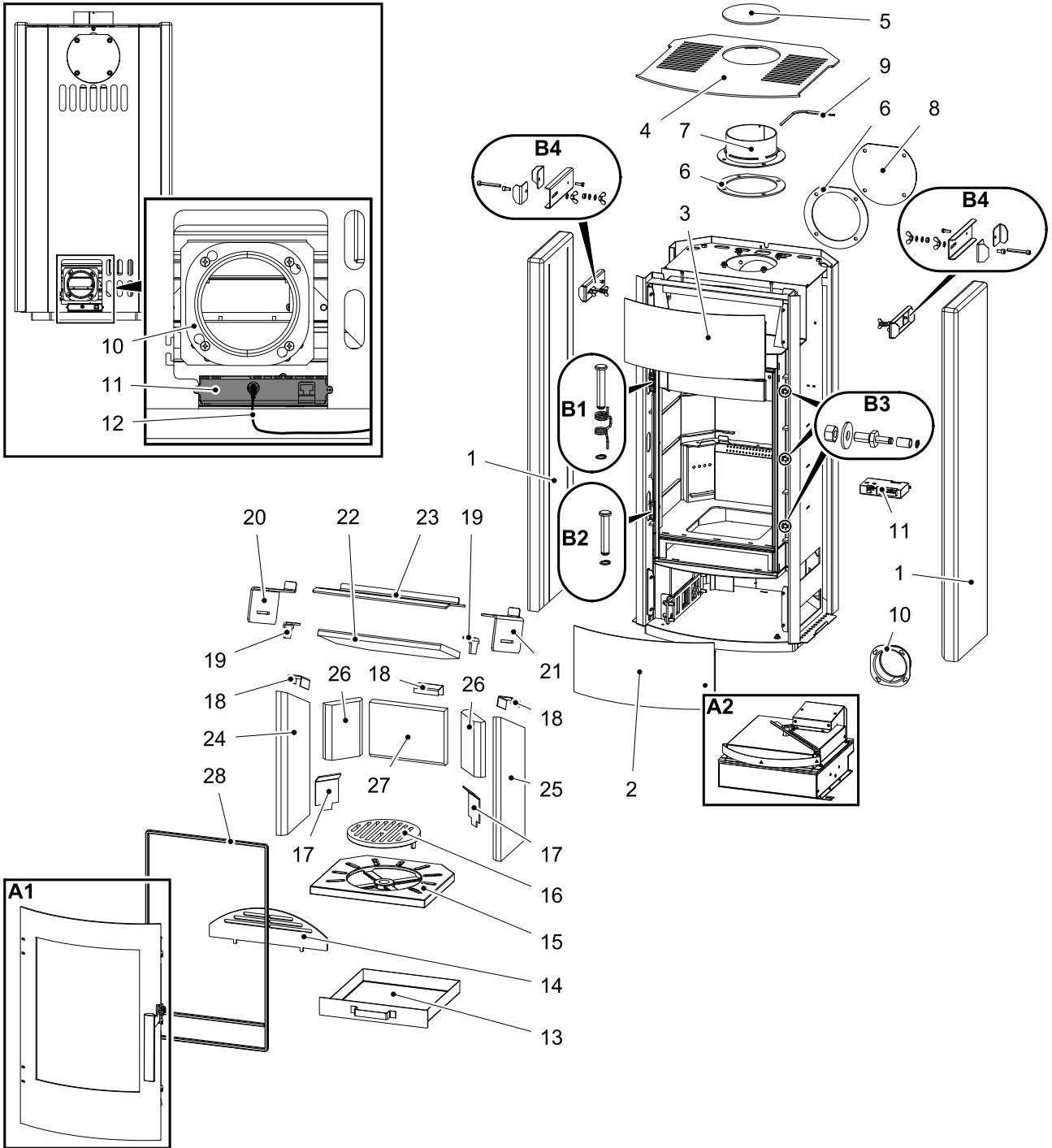
2. Technical description



3. Overview of spare parts

3.1. Whole emplacement

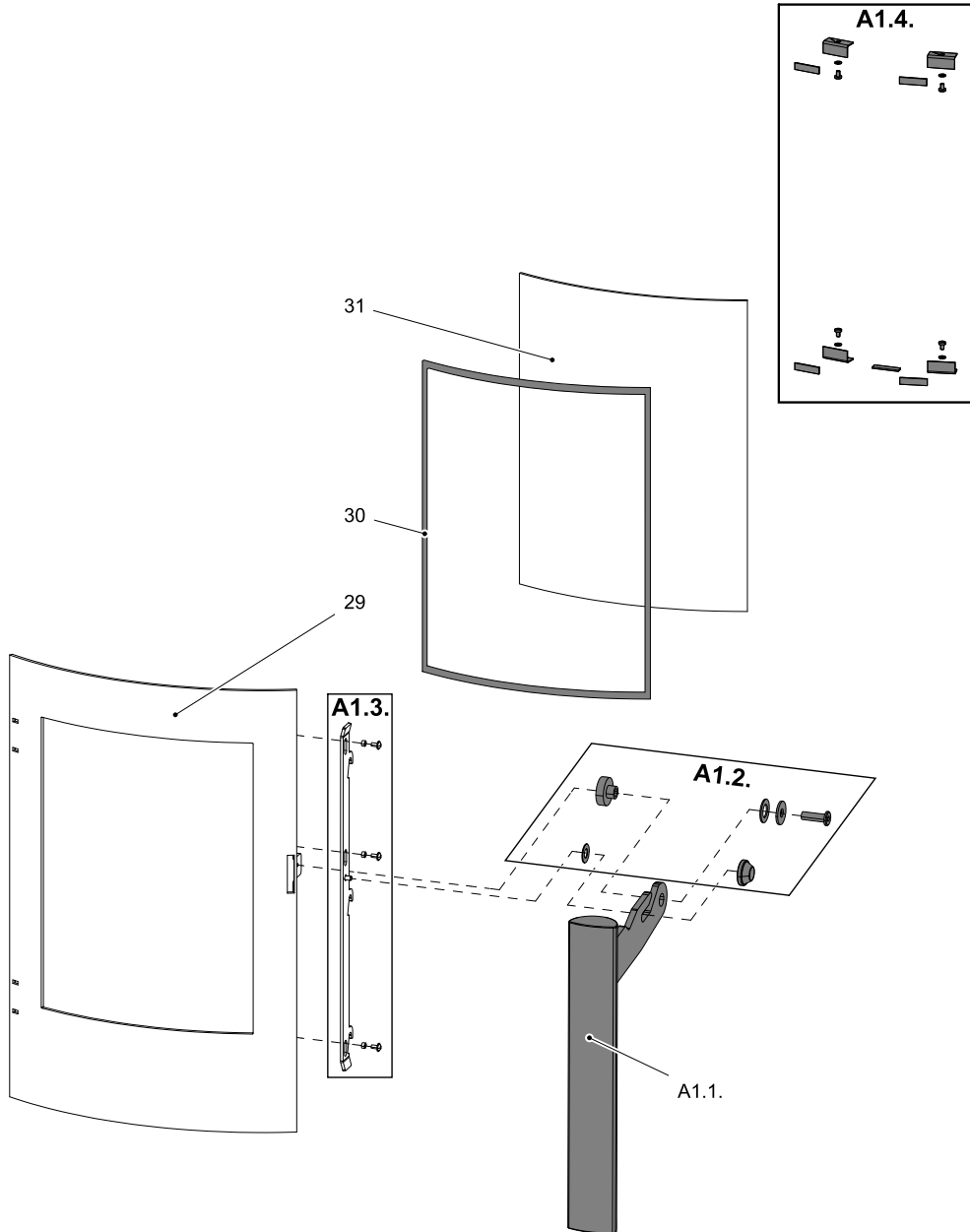
Overview of spare parts



GB

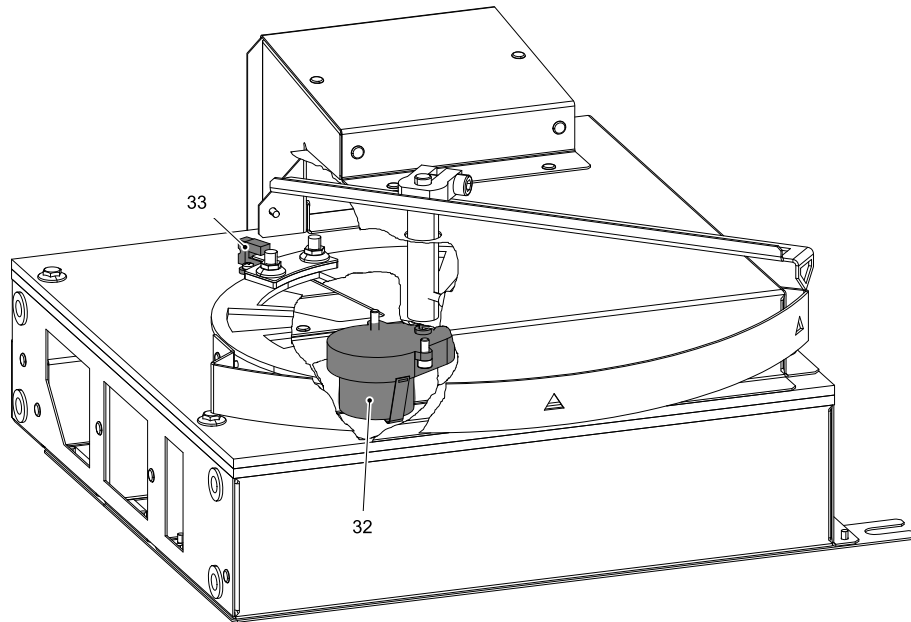
Item	Name	pcs	Spare part number
Whole emplacement			
A1	Fire-box door (complete)/pearl black	1 piece	0424717035300
A2	Air controller unit (complete)/ pearl black	1 piece	0424717036600
B1	Fire-box door spring - set	1 piece	0424717035001
B2	Strip connecting material - set	1 piece	0424717035002
B3	Pin+wheel (complete)	3 piece	0424717035003
B4	Big assembly strap - set	2 piece	0424717006045
1	Lateral lining	2 piece	—
2	Lower cover/pearl black	1 piece	0424717035040
3	Upper cover/pearl black	1 piece	0424717035058
4	Covering board/pearl black	1 piece	0424717035800
5	Blind flange, cover/pearl black	1 piece	0421817006001
6	Smoke flue sealing	2 piece	0424717005060
7	Smoke flue neck/black	1 piece	0424717006049
8	Lining of the smoke flue/black	1 piece	0424717007050
9	Thermal sensor	1 piece	0424717005095
10	External air input (Ø100)	1 piece	0088500050008
11	Control	1 piece	0424717005545
12	Mains cable	1 piece	0424717006540
13	Ash pan/pearl black	1 piece	0424717007600
14	Pile grating/pearl black	1 piece	0424917015500
15	Seating of the grate	1 piece	0020100155022
16	Grate Ø 215	1 piece	0020100020007
17	Fire box guide metal sheet/pearl black	2 piece	0424717007030
18	Holding metal sheet for stones/pearl black	3 piece	0424917007501
19	Fixing angle/pearl black	1 piece	0424717006054
20	Left shell angle/pearl black	1 piece	0424717005052
21	Right shell angle/pearl black	1 piece	0424717006051
22	Lower screen - loose (19x250x385)	1 piece	0424717005534
23	Upper screen - loose	1 piece	0424717006053
24	Lateral fire clay - left (30x204x450)	1 piece	0424717005504
25	Lateral fire clay - right (30x204x450)	1 piece	0424717005503
26	Rear fire clay (30x120x172)	2 piece	0424717005501
27	Rear fire clay (30x172x235)	1 piece	0424717005502
28	Door sealing cord 14 mm	2410 mm	0040014140005

3.2. Detail A1



Item	Name	pcs	Spare part number
Detail A1			
A1.1. + A1.2.	Fire-box door hand pull + hand pull connecting material	1 piece	0425317036302
A1.3.	Door closing blade - set	1 piece	0424717035012
A1.4.	Glass holder - set/pearl black	1 piece	0424717035013
29	Fire-box door (welded part)/pearl black	1 piece	0424917005200
30	Glass sealing cord 10x4 mm	1600 mm	0040210040005
31	Door glass (358x475)	1 piece	0424917005301

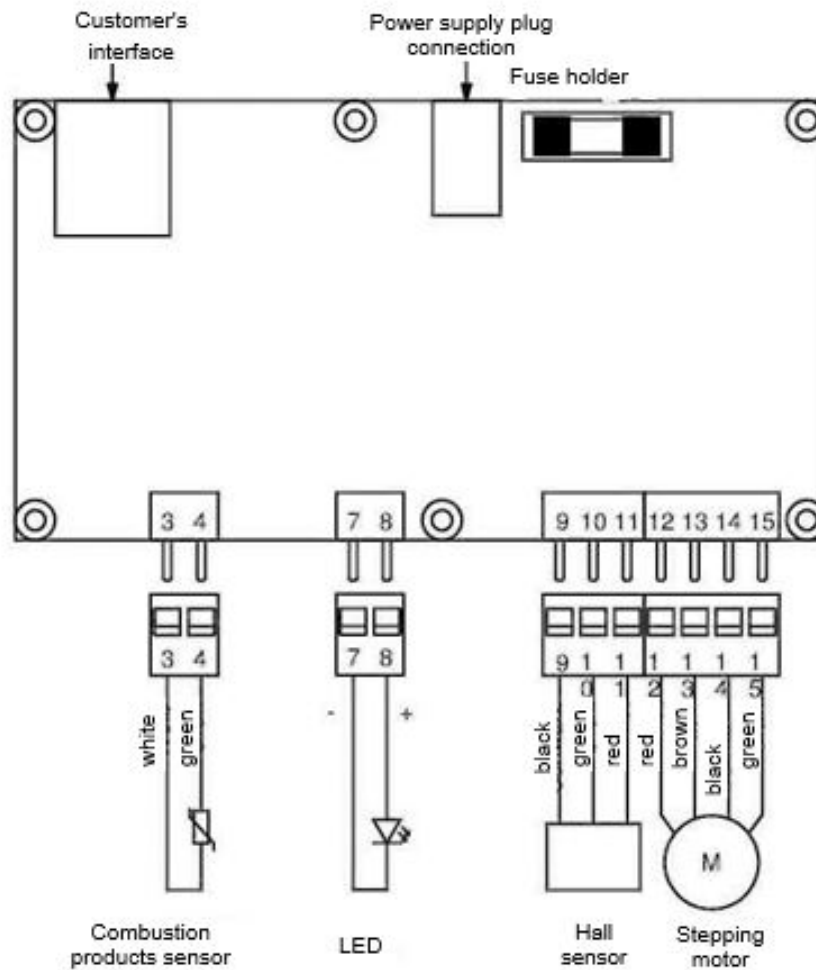
3.3. Detail A2



Item	Name	pcs	Spare part number
Detail A2			
32	Adjustable-speed motor	1 piece	0424717006500
33	Hall sensor	1 piece	0424717006530

4. Connection diagram

KOC 1.1 printed circuit board connection diagram



Combustion	3	white
	4	green
LED:	7	Cathode (-)
	8	Anode (+)
Hall sensor:	9	black
	10	green
	11	red
Stepping motor:	12	red
	13	brown
	14	black
	15	green